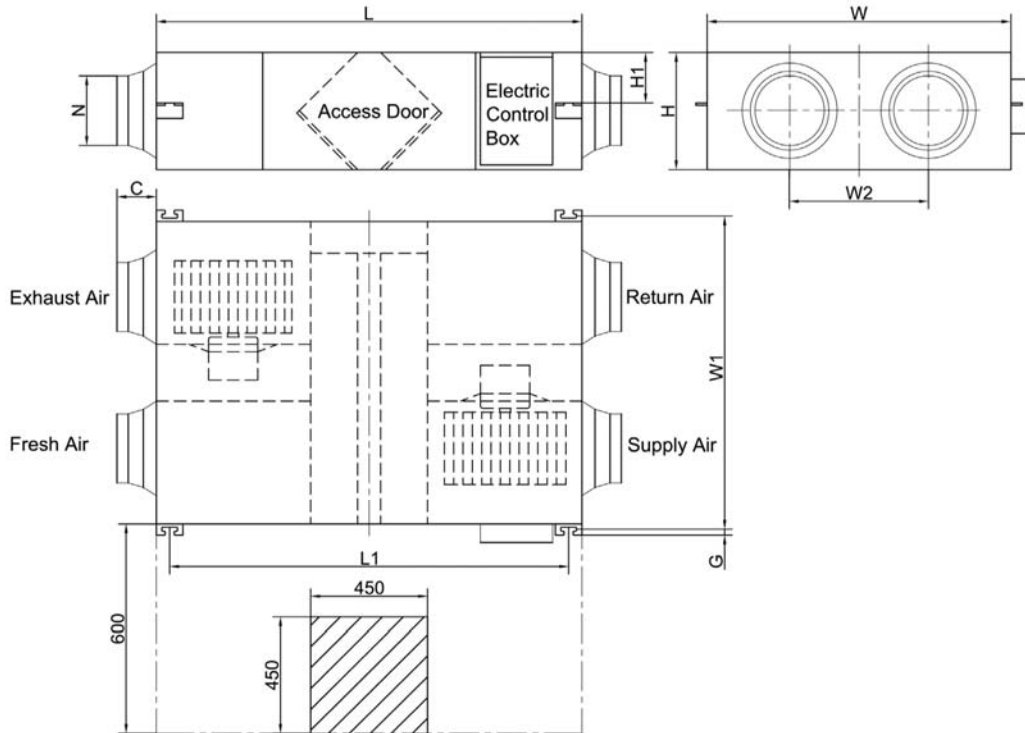


# Specifications

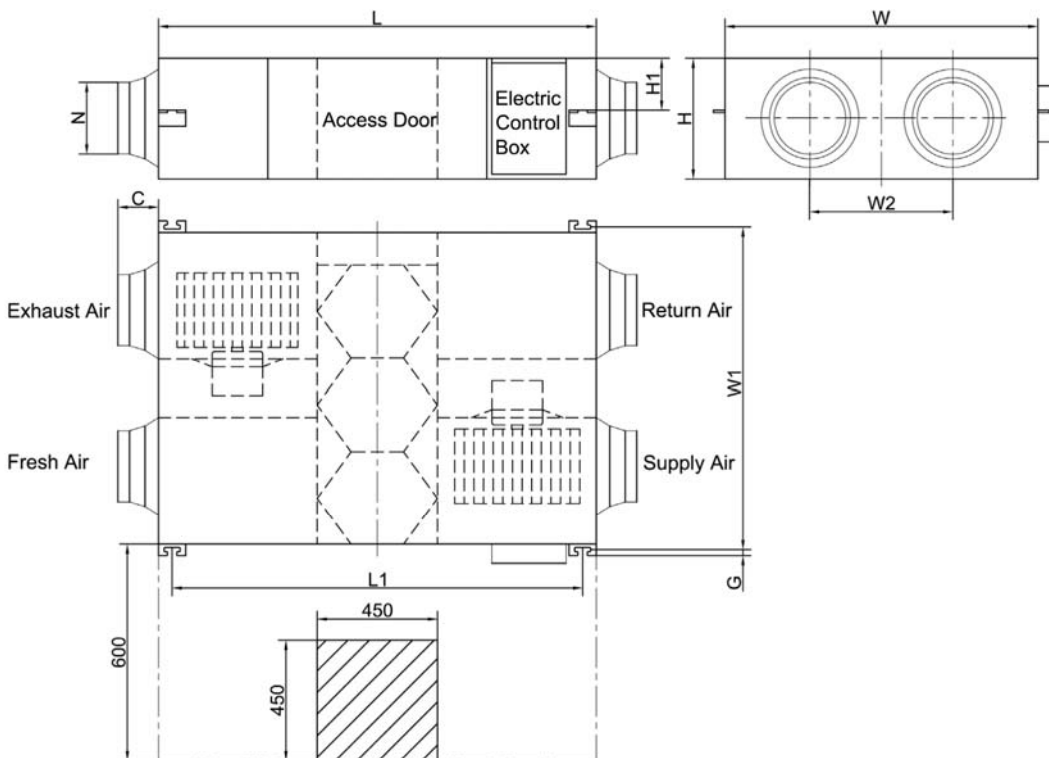
Model		AB-HRV-650P	AB-HRV-800P	AB-HRV-1000P	AB-HRV-1500P	AB-HRV-2000P
Performance						
Airflow(m <sup>3</sup> /h)		650	800	1000	1500	2000
Airflow (l/s)		186	229	286	429	571
Enth. Eff (%)	Heating	68	71	71	71	71
	Cooling	62	65	65	65	65
Temp. Eff (%)		75	75	75	75	75
Noise Db(A)		32	35	35	38	38
Power Supply		220V/1Ph/50Hz				
Input Power (W)		205	290	305	580	610
Power Cable		2x1.5mm <sup>2</sup>				
Control Cable		2x0.5mm <sup>2</sup>				
Control	Standard	Yes (7-Day Time-clock)				
	(BMS) Modbus	Yes			No	
Fan Type		DC Fan Motors				
Fan Speeds (Supply)		10 Speed Fan Control				
Fan Speeds (Exhaust)		10 Speed Fan Control				
Summer Bypass		Yes (Automatic with adjustable range)				
Defrost		Yes (Automatic with adjustable range)				
CO <sub>2</sub> Control		Optional controller available (On / Off control with adjustable range)				
Fan Boost Contacts		Yes (3x available connections to Contacts: Closed = Boost to High Speed)				
Fire Shutdown		Yes (1x available connection to Contact: Closed = Shutdown)				
Weight (Kg)		64	71	83	165	189
Size (WxHxD)		884x340x1222	884x388x1322	1134x388x1322	884x785x1322	1134x785x1322
Duct Size		200	250	250	300	300

# Dimensioned Drawings

## AB-HRV-150P to 500P Models

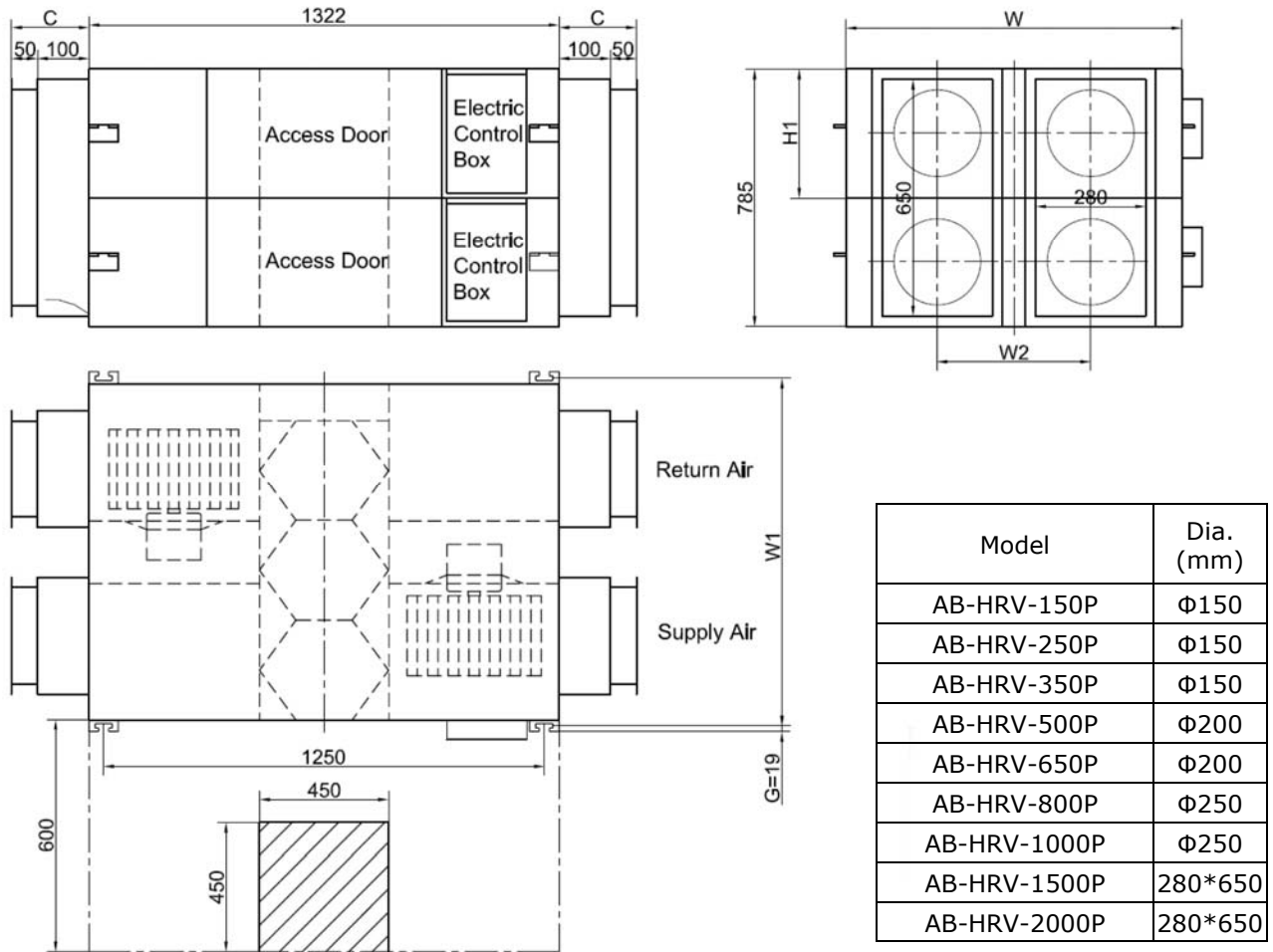


## AB-HRV-650P to 1000P Models



# Technical Drawings

## AB-HRV-1500P to 2000P Models



## Diagram Measurements

The table on right side shows suitable duct measurements for each unit.

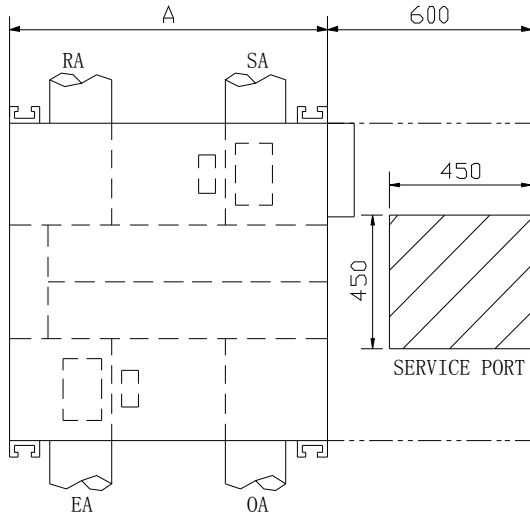
The table below shows the dimensions of the image above and the two images previously, the letter in the table represents the letter on the diagram .

Model	L	L1	W	W1	W2	H	H1	C	G	N
AB-HRV-150P	808	867	580	510	290	264	20	100	19	Φ144
AB-HRV-250P	882	810	599	657	315	270	111	100	19	Φ144
AB-HRV-350P	882	810	804	860	480	270	111	100	19	Φ144
AB-HRV-500P	962	890	904	960	500	270	111	107	19	Φ194
AB-HRV-650P	1222	1150	884	940	480	340	146	107	19	Φ194
AB-HRV-800P	1322	1250	884	940	428	388	170	85	19	Φ242
AB-HRV-1000P	1322	1250	1134	1190	678	388	170	85	19	Φ242
AB-HRV-1500P	1322	1250	884	940	428	785	170	150	19	280*650
AB-HRV-2000P	1322	1250	1134	1190	678	785	170	150	19	280*650

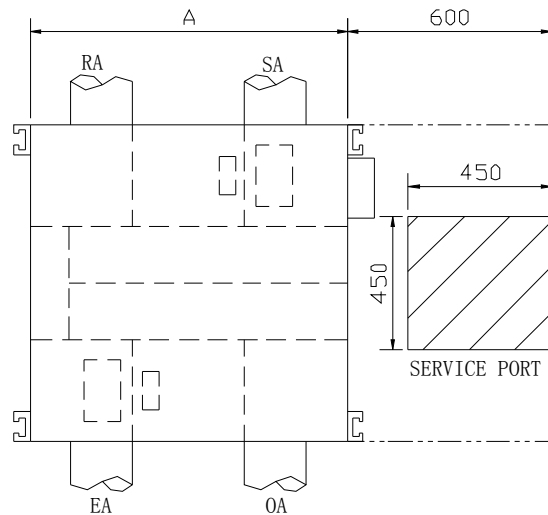
# Installation Considerations

## Installation Considerations

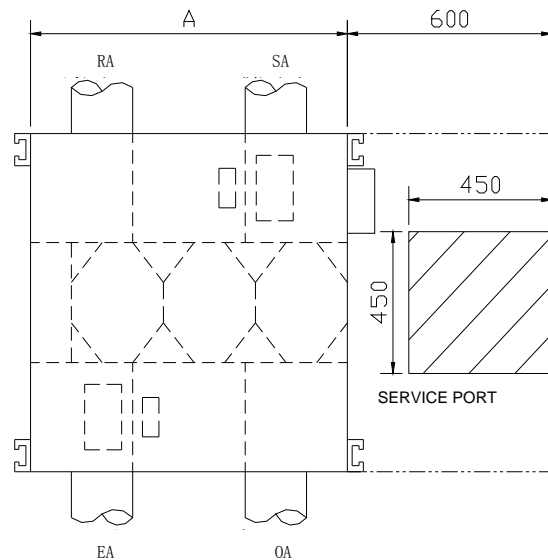
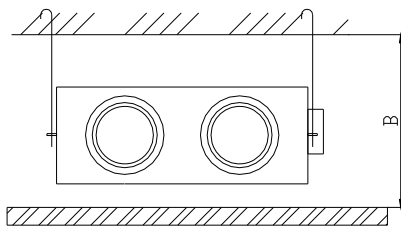
Protect the unit to avoid dust or other obstructions entering the unit and accessories during installation, or whilst in storage on site. Service ports should be installed to allow access for filter maintenance.



AB-HRV-150P



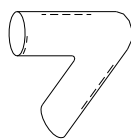
AB-HRV-150P to 500P



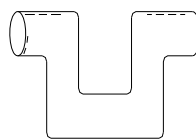
AB-HRV-650P to 2000P

Dimensions Model	Ceiling Height	
	A	B
AB-HRV-150P	580	320
AB-HRV-250P	599	320
AB-HRV-350P	804	320
AB-HRV-500P	904	320
AB-HRV-650P	884	390
AB-HRV-800P	884	440
AB-HRV-1000P	1134	440
AB-HRV-1500P	884	835
AB-HRV-2000P	1134	835

1. Be sure the ceiling height is no less than the Figures in above table B column.
2. Unit must not be installed close to boiler flues.
3. Following phenomenon should be avoided in the ducting installation.



Severe bends



Multiple direction changes



Multiple reducers/ crimped duct